

# 2005 Mustang Headlamp Reflector scanned data



**Chicago Mold Engineering Co., Inc.**

615 Stetson Avenue

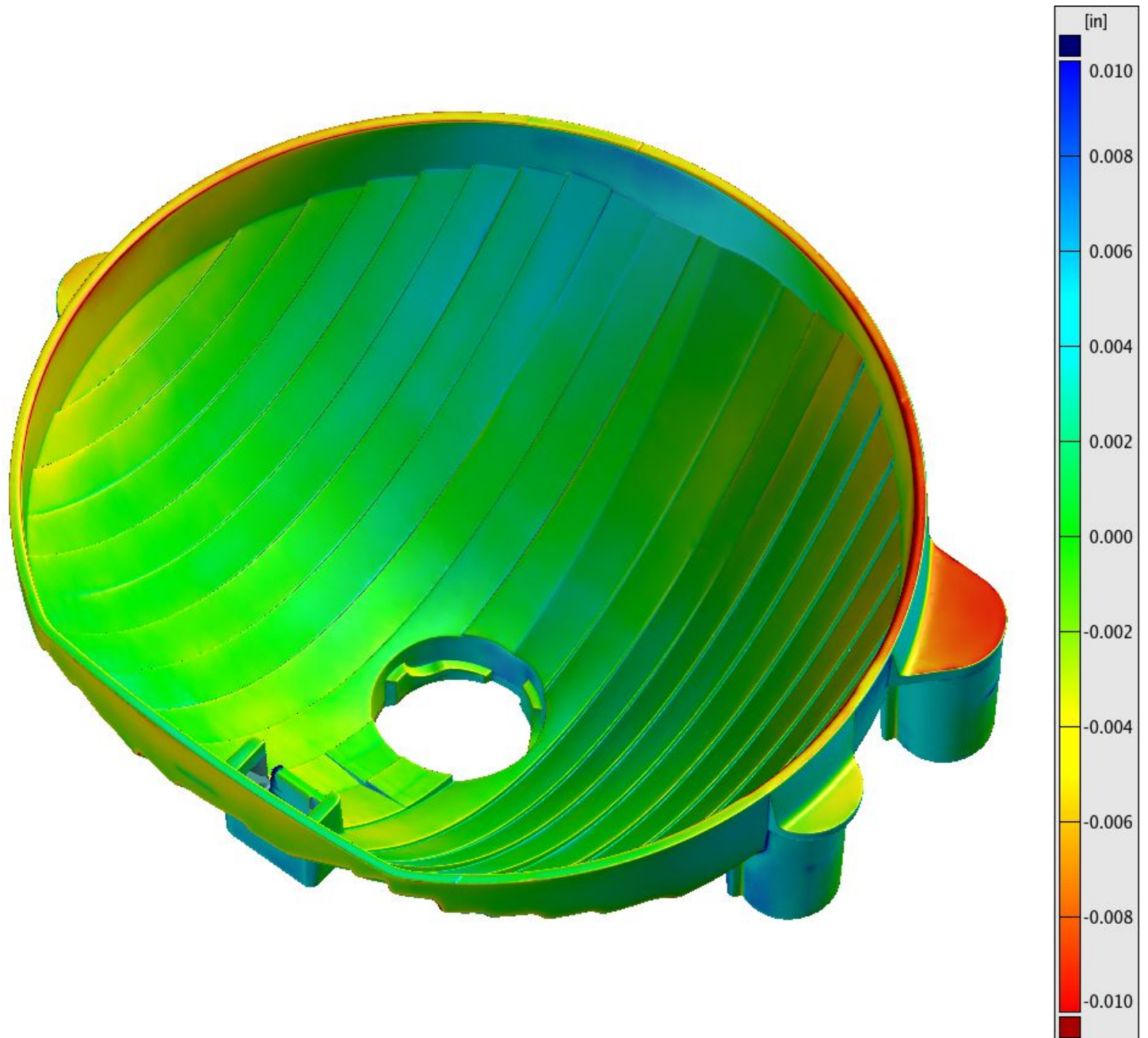
St. Charles, IL 60174-3458

Tel: 630-584-1311 Fax: 630-584-8695

[www.chicagomold.com](http://www.chicagomold.com)



# 2005 Mustang Headlamp Reflector colored deviation map



**Chicago Mold Engineering Co., Inc.**

615 Stetson Avenue

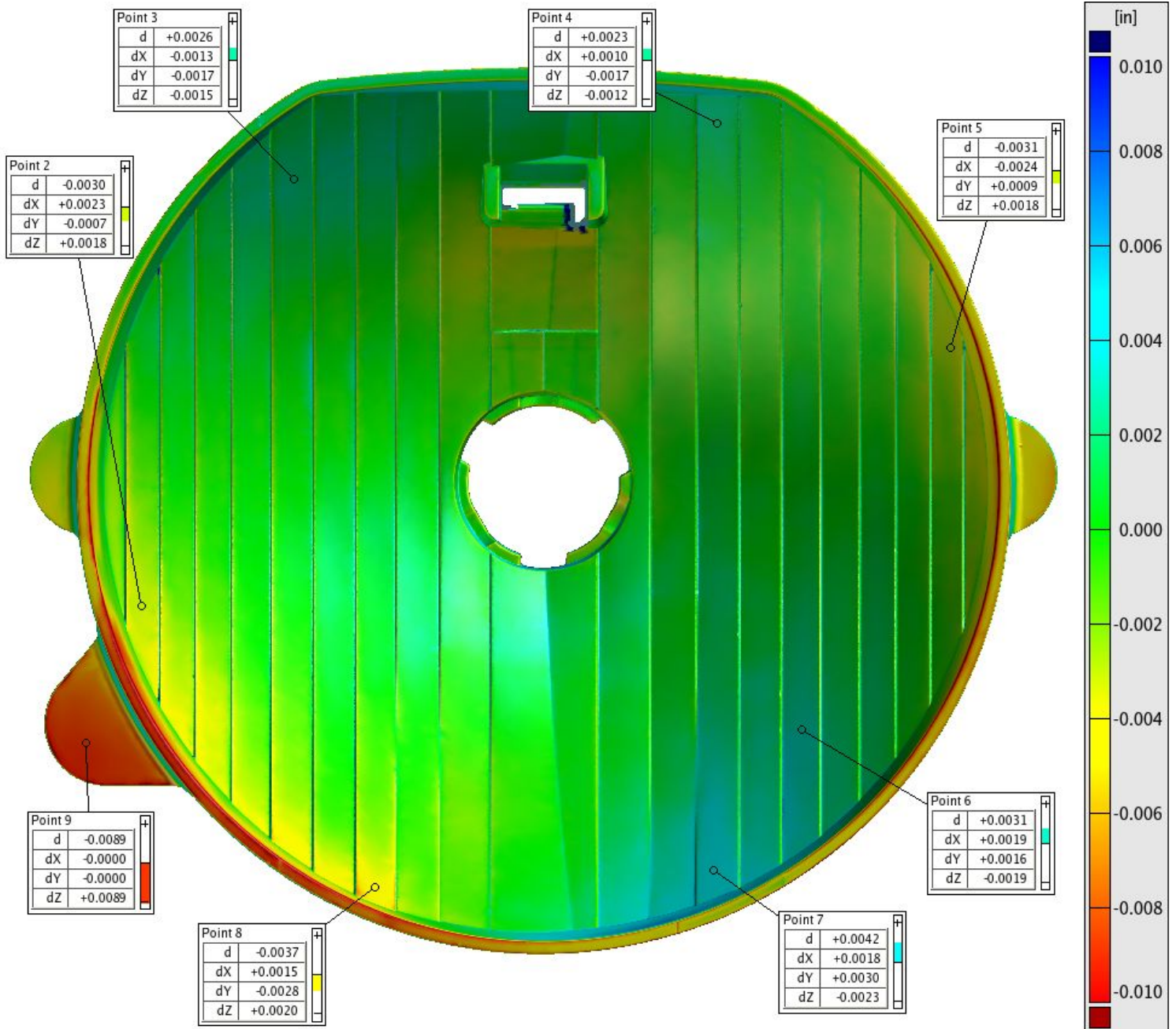
St. Charles, IL 60174-3458

Tel: 630-584-1311 Fax: 630-584-8695

[www.chicagomold.com](http://www.chicagomold.com)



# 2005 Mustang Headlamp Reflector plus or minus .010 in. colored deviation map and surface points



**Chicago Mold Engineering Co., Inc.**

615 Stetson Avenue

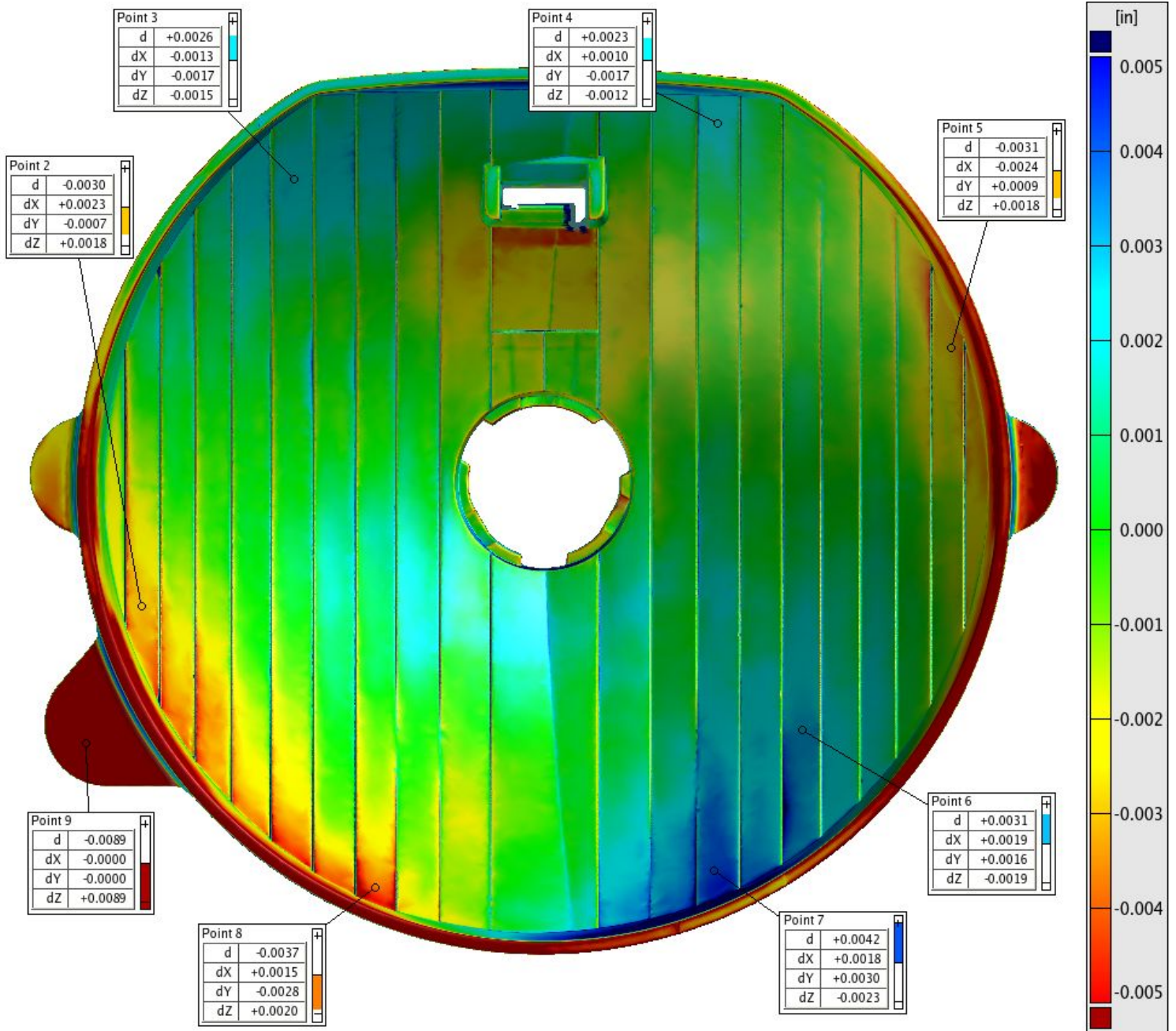
St. Charles, IL 60174-3458

Tel: 630-584-1311 Fax: 630-584-8695

[www.chicagomold.com](http://www.chicagomold.com)



# 2005 Mustang Headlamp Reflector plus or minus .005 in. colored deviation map and surface points



**Chicago Mold Engineering Co., Inc.**

615 Stetson Avenue

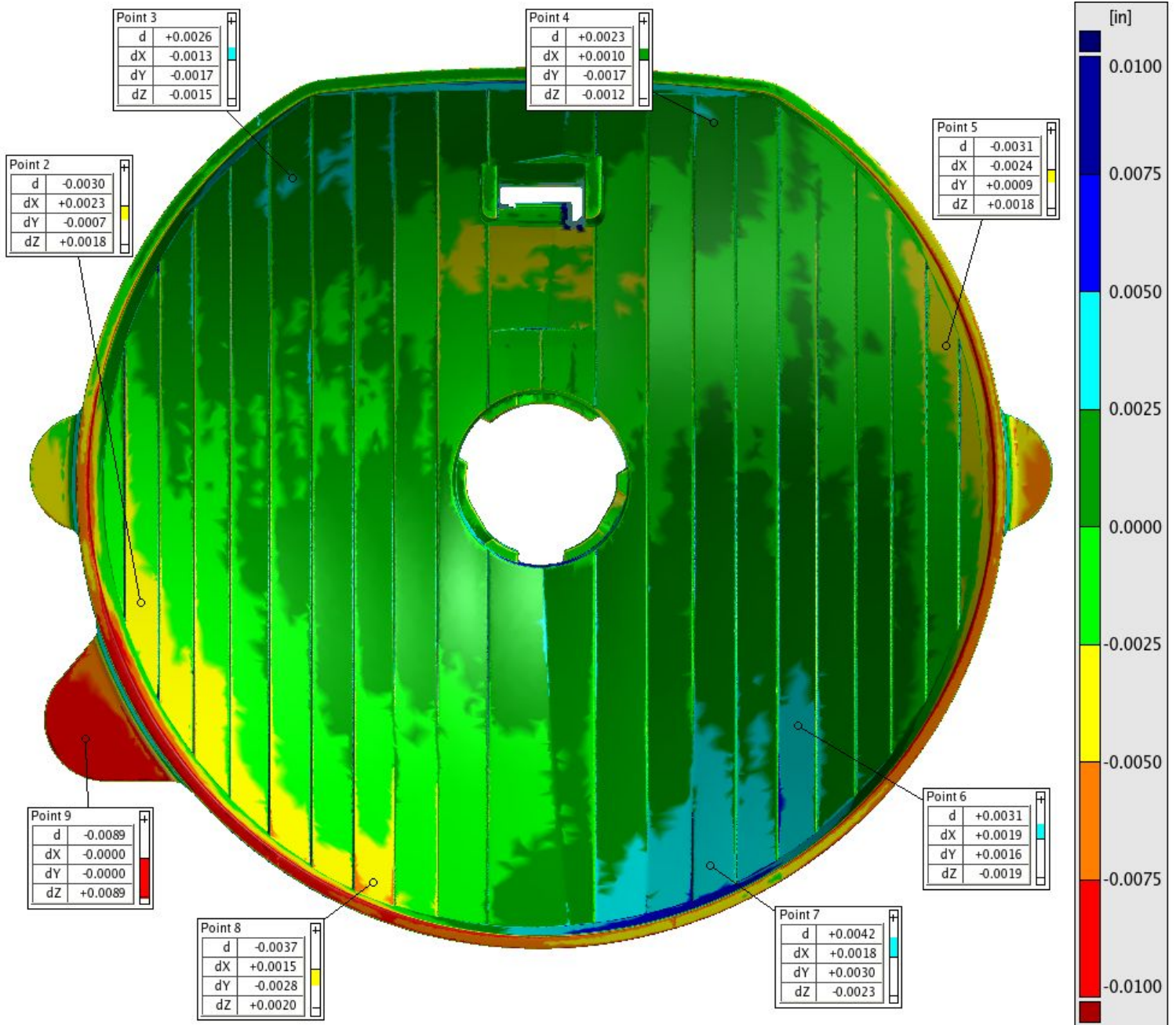
St. Charles, IL 60174-3458

Tel: 630-584-1311 Fax: 630-584-8695

[www.chicagomold.com](http://www.chicagomold.com)



# 2005 Mustang Headlamp Reflector plus or minus .010 in. stepped colored deviation map and surface points



**Chicago Mold Engineering Co., Inc.**

615 Stetson Avenue

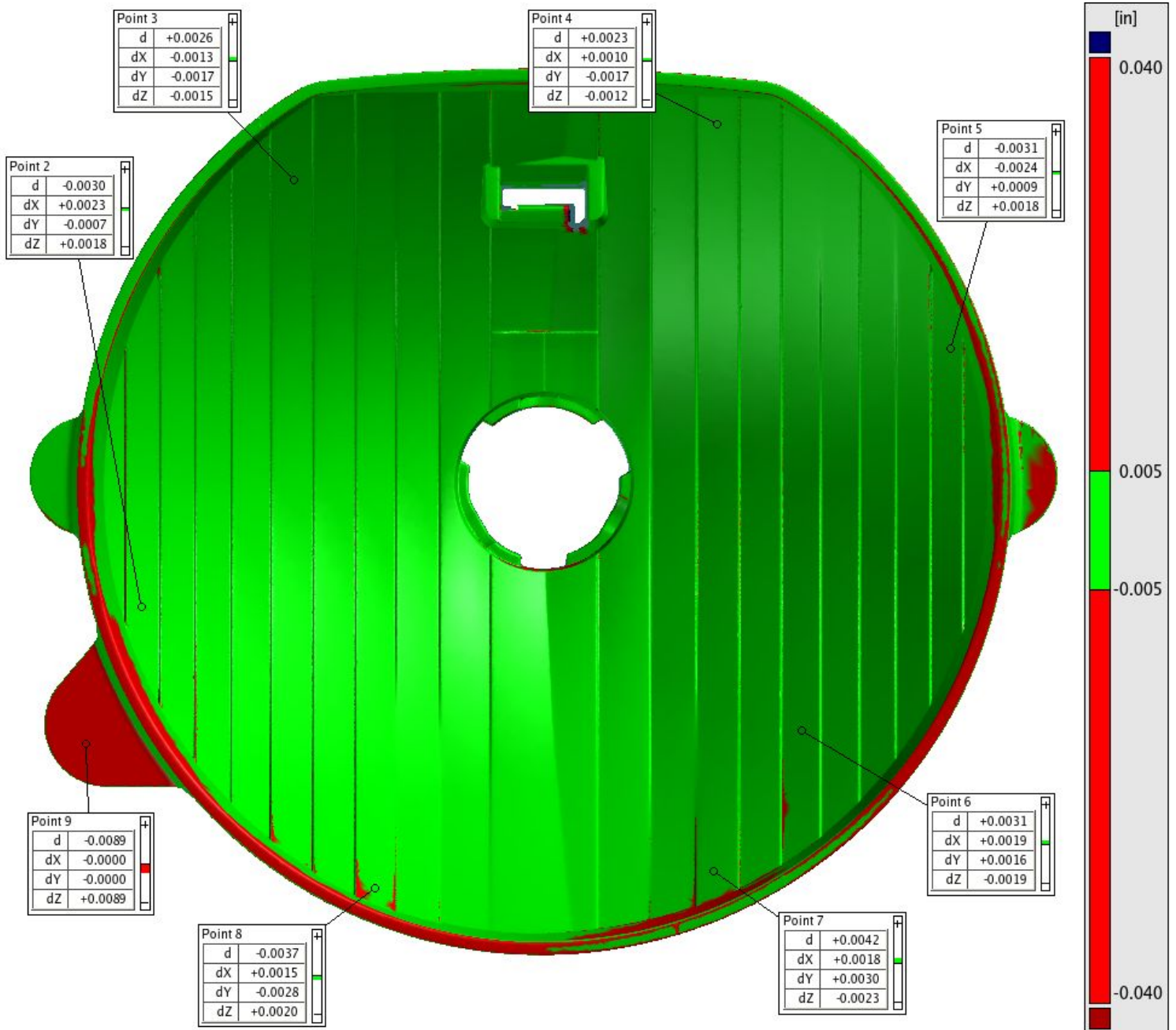
St. Charles, IL 60174-3458

Tel: 630-584-1311 Fax: 630-584-8695

[www.chicagomold.com](http://www.chicagomold.com)



# 2005 Mustang Headlamp Reflector plus or minus .005 in. go/no go colored deviation map and surface points



**Chicago Mold Engineering Co., Inc.**

615 Stetson Avenue

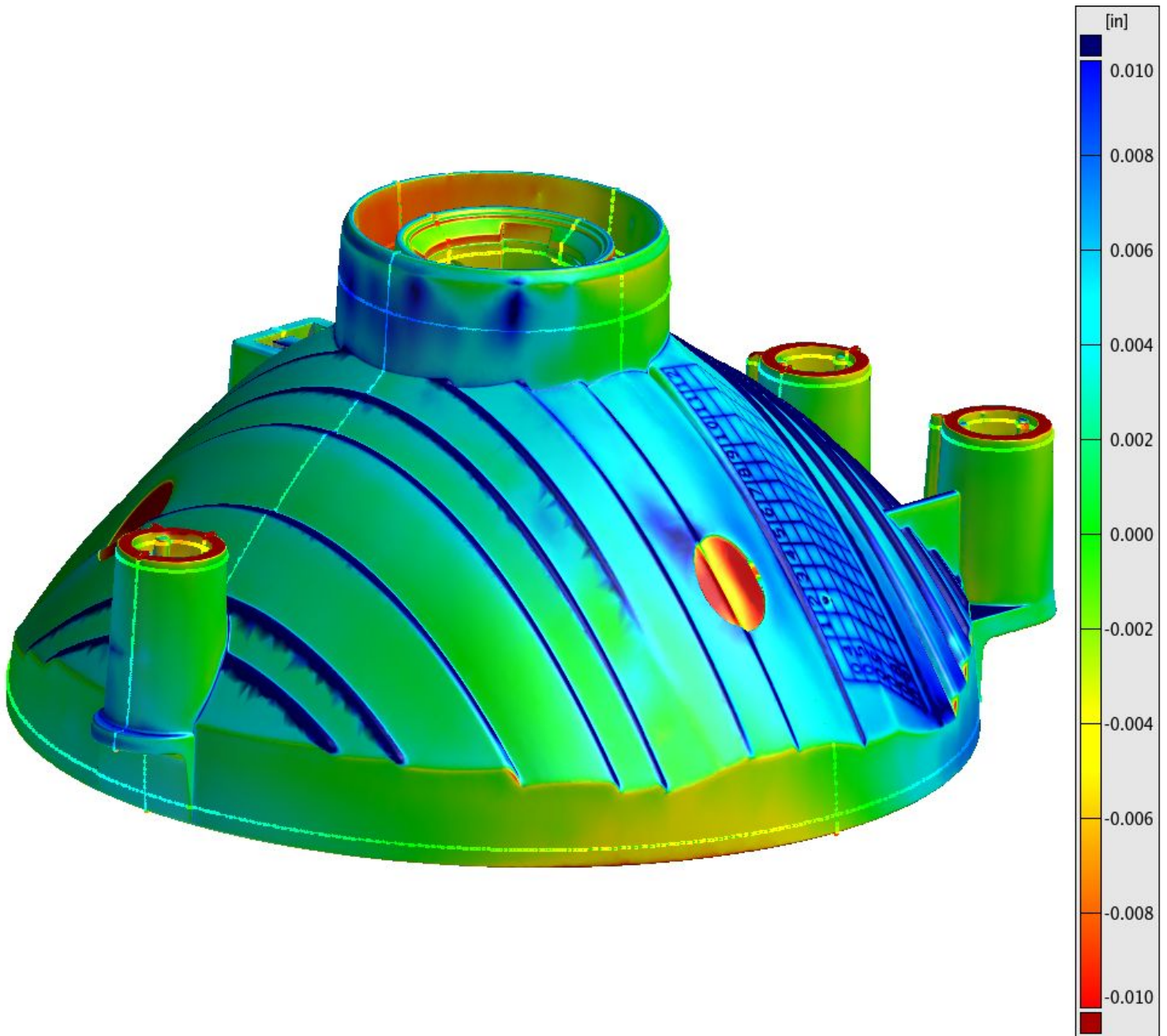
St. Charles, IL 60174-3458

Tel: 630-584-1311 Fax: 630-584-8695

[www.chicagomold.com](http://www.chicagomold.com)



# 2005 Mustang Headlamp Reflector plus or minus .010 in. colored deviation map and cross sections



**Chicago Mold Engineering Co., Inc.**

615 Stetson Avenue

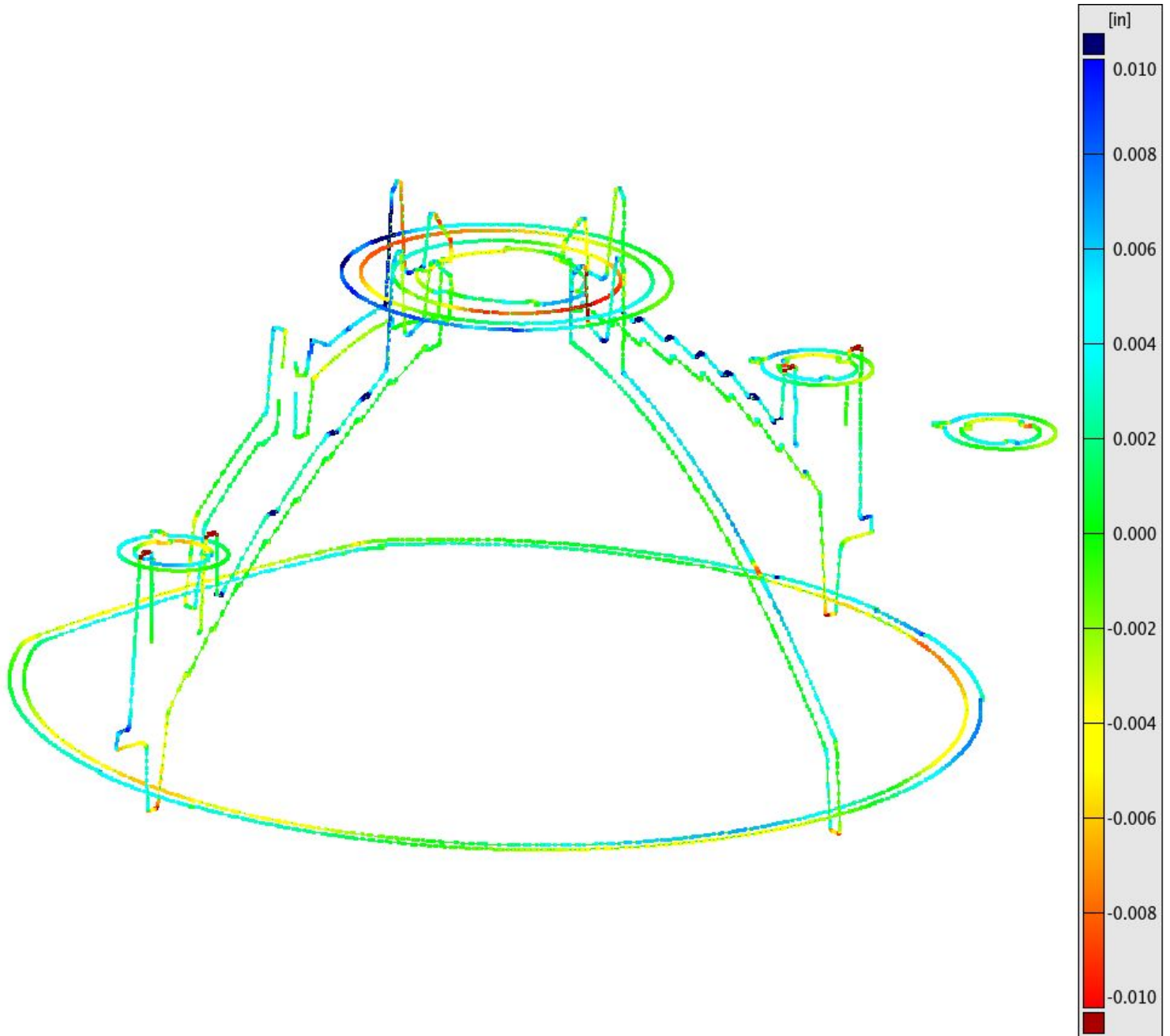
St. Charles, IL 60174-3458

Tel: 630-584-1311 Fax: 630-584-8695

[www.chicagomold.com](http://www.chicagomold.com)



# 2005 Mustang Headlamp Reflector plus or minus .010 in. colored deviation map of cross sections



**Chicago Mold Engineering Co., Inc.**

615 Stetson Avenue

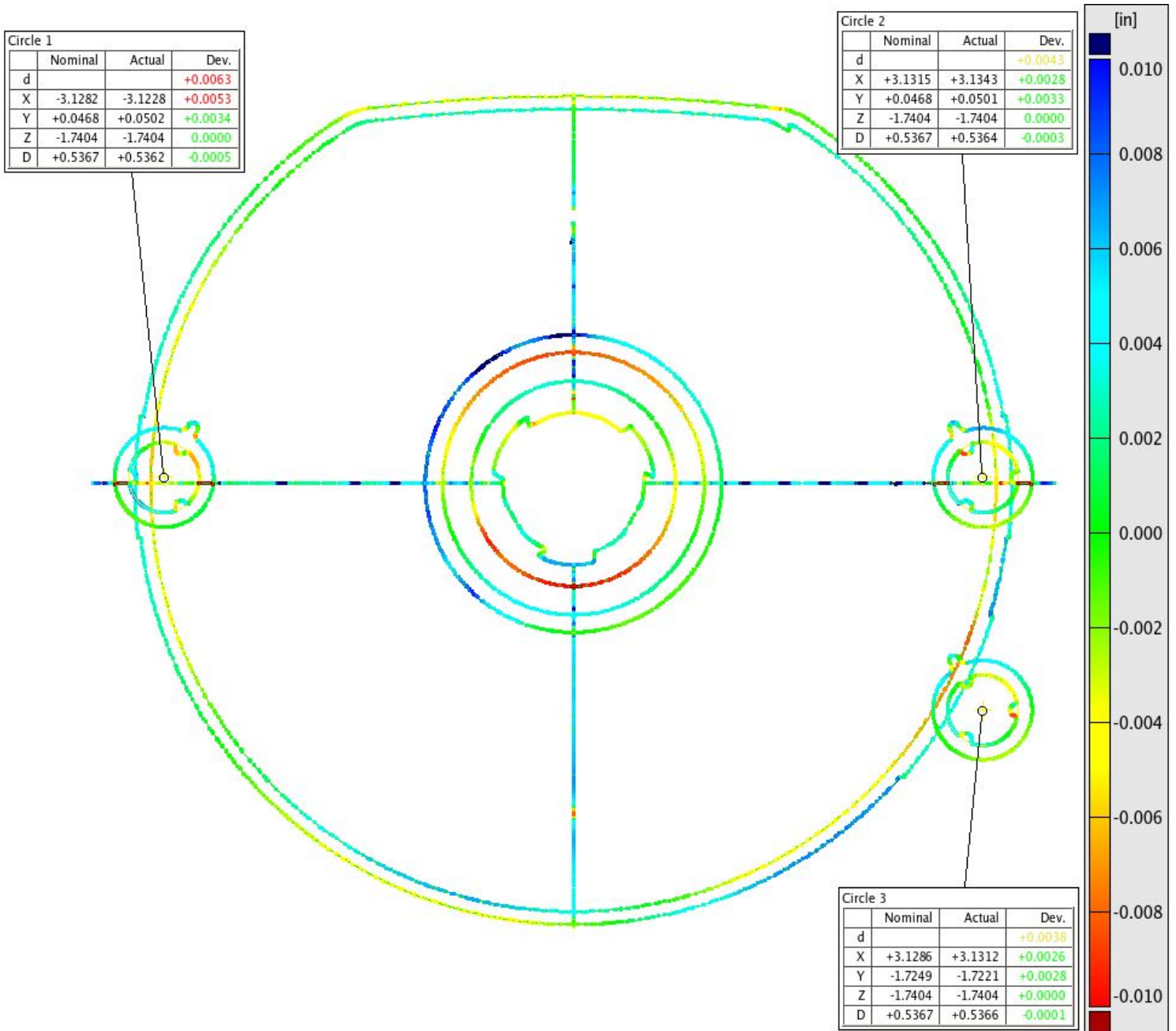
St. Charles, IL 60174-3458

Tel: 630-584-1311 Fax: 630-584-8695

[www.chicagomold.com](http://www.chicagomold.com)



# 2005 Mustang Headlamp Reflector plus or minus .010 in. sections and hole locations



**Chicago Mold Engineering Co., Inc.**

615 Stetson Avenue

St. Charles, IL 60174-3458

Tel: 630-584-1311 Fax: 630-584-8695

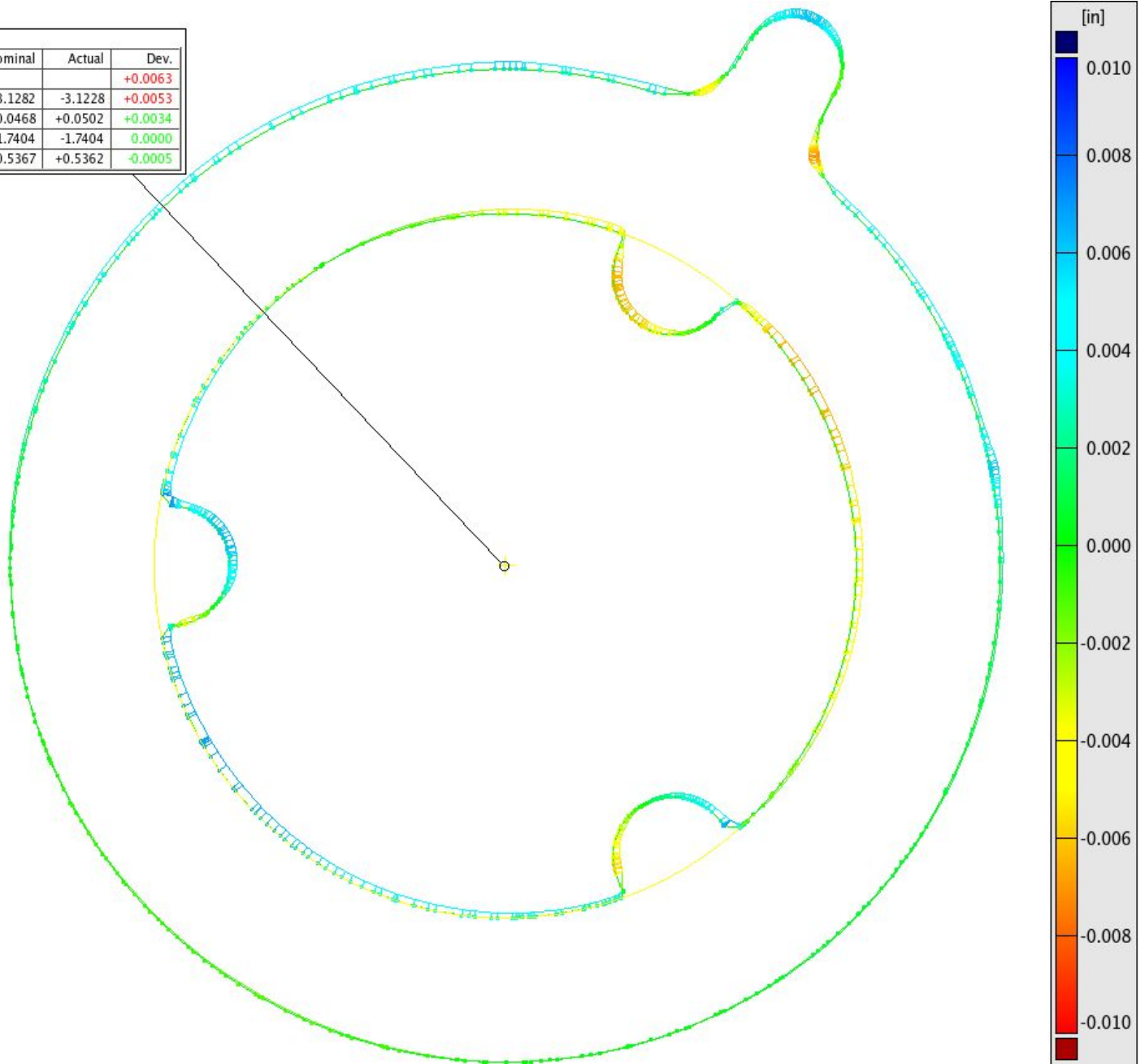
[www.chicagomold.com](http://www.chicagomold.com)



# 2005 Mustang Headlamp Reflector plus or minus .010 in. sections and hole location

Circle 1

	Nominal	Actual	Dev.
d			+0.0063
X	-3.1282	-3.1228	+0.0053
Y	+0.0468	+0.0502	+0.0034
Z	-1.7404	-1.7404	0.0000
D	+0.5367	+0.5362	-0.0005



**Chicago Mold Engineering Co., Inc.**

615 Stetson Avenue

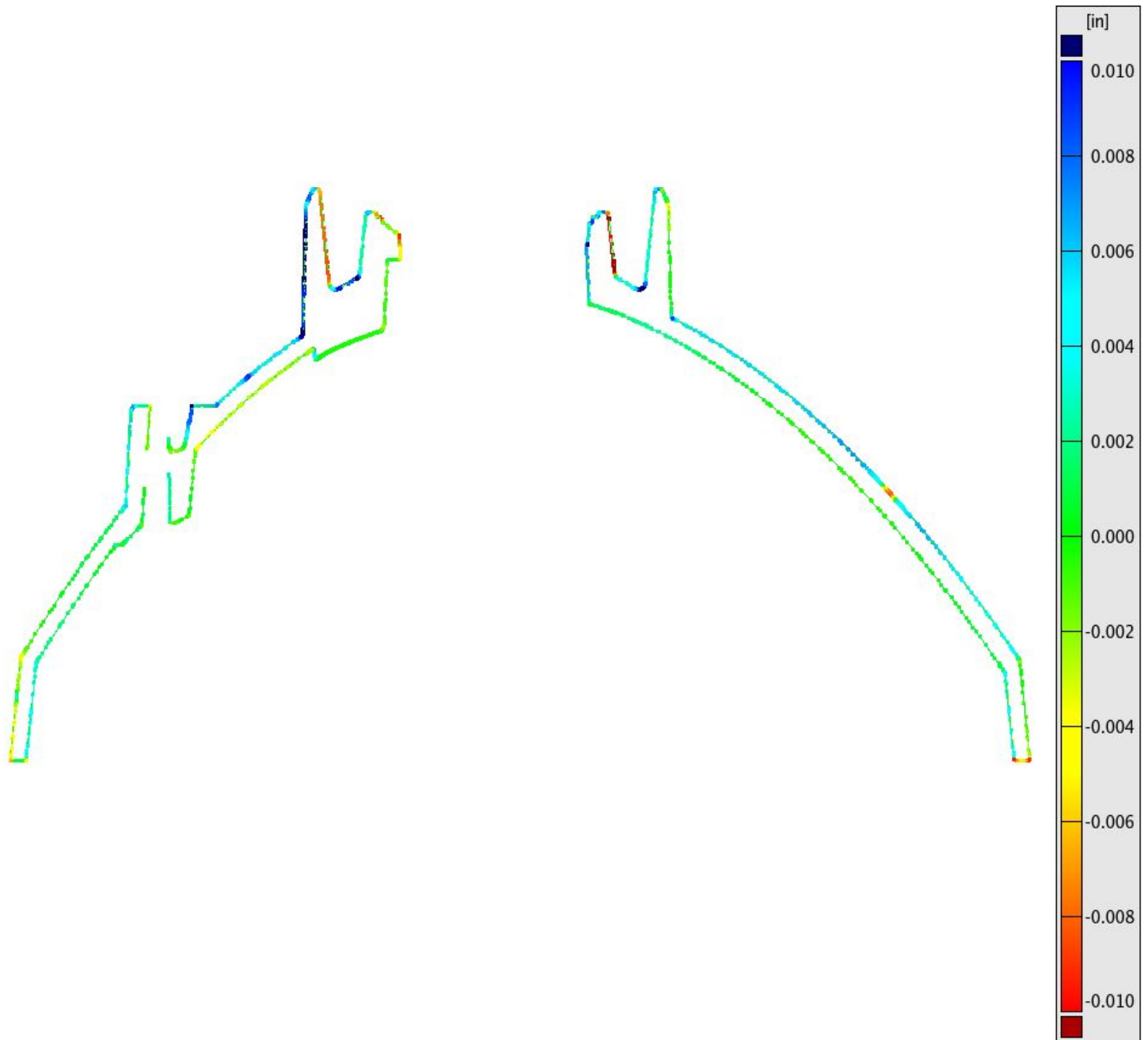
St. Charles, IL 60174-3458

Tel: 630-584-1311 Fax: 630-584-8695

[www.chicagomold.com](http://www.chicagomold.com)



# 2005 Mustang Headlamp Reflector plus or minus .010 in. sections



**Chicago Mold Engineering Co., Inc.**

615 Stetson Avenue

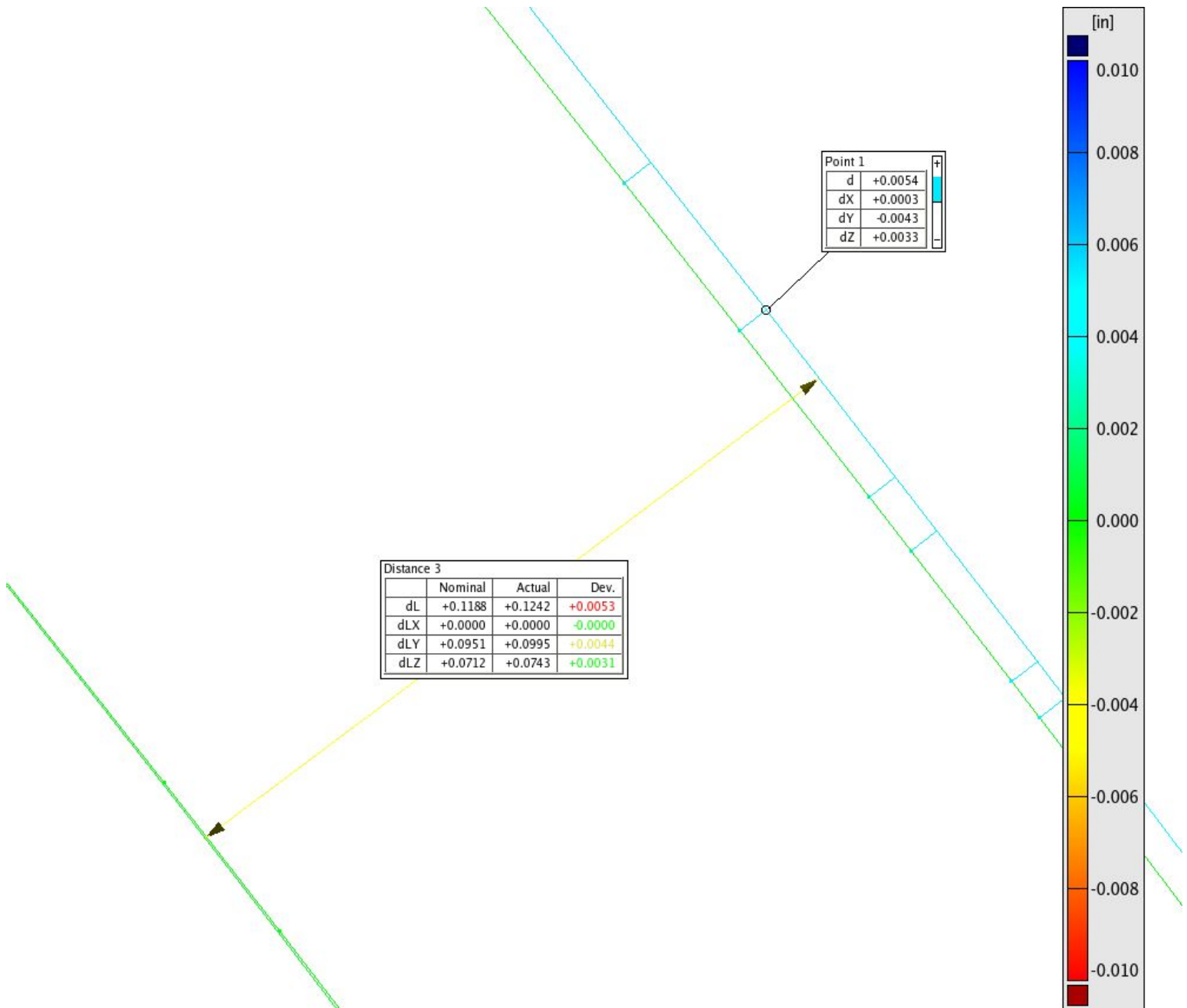
St. Charles, IL 60174-3458

Tel: 630-584-1311 Fax: 630-584-8695

[www.chicagomold.com](http://www.chicagomold.com)



# 2005 Mustang Headlamp Reflector plus or minus .010 in. sections and wall stock



**Chicago Mold Engineering Co., Inc.**

615 Stetson Avenue

St. Charles, IL 60174-3458

Tel: 630-584-1311 Fax: 630-584-8695

www.chicagomold.com

